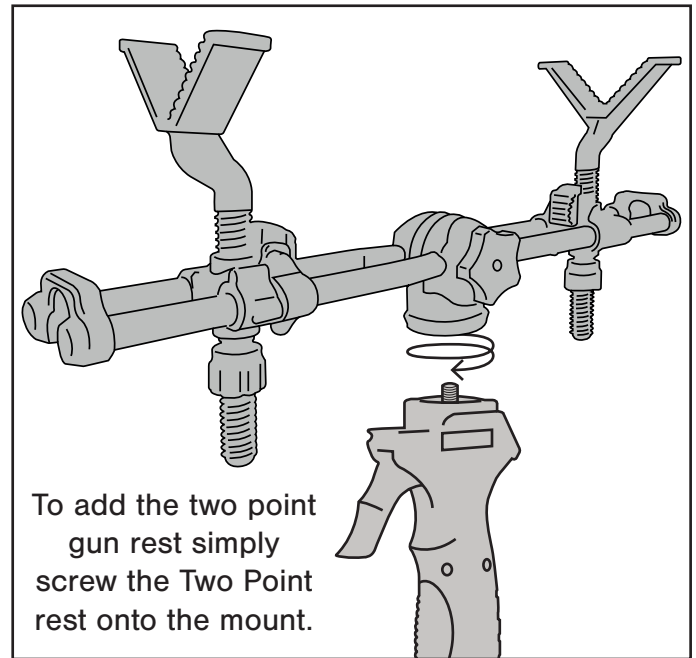
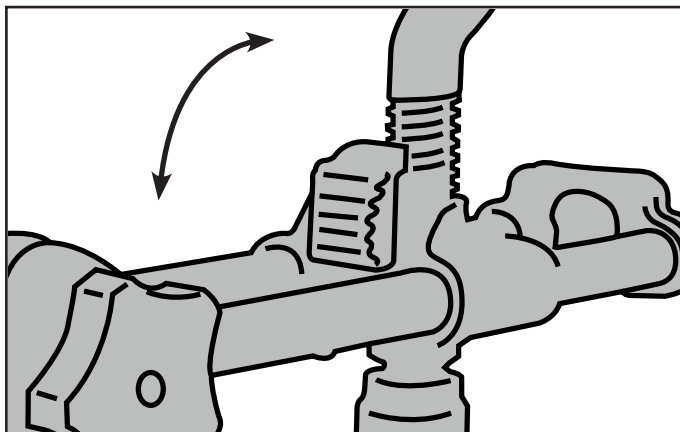


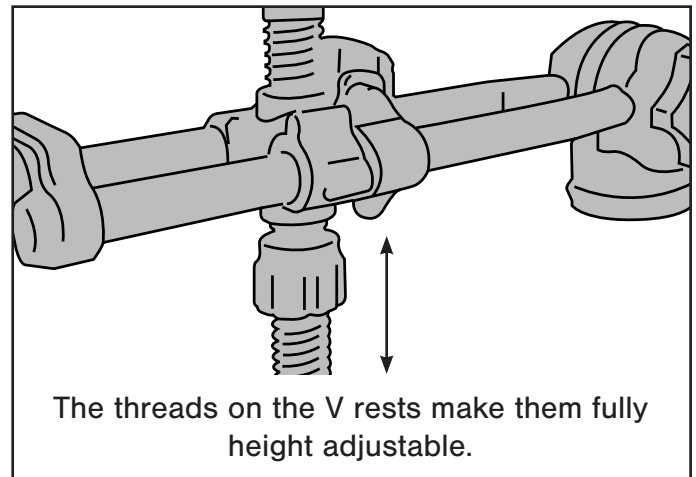
The Primos two point gun rest turns a tripod with 1/4-20 thread mounts into a full gun rest. To attach to the Primos trigger sticks unscrew the green section (a) below the V-Yoke. This will reveal the threaded section of the Trigger Stick.



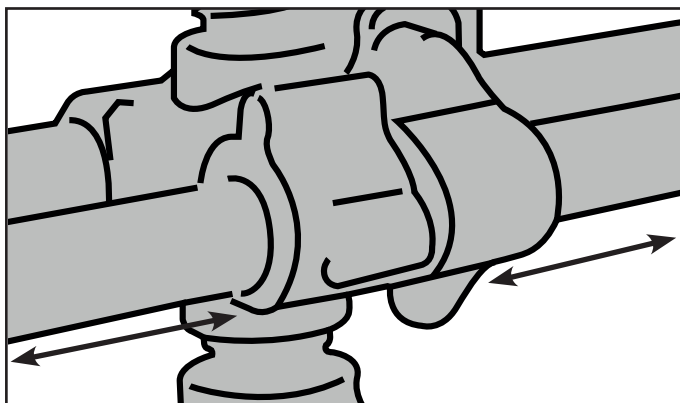
To add the two point gun rest simply screw the Two Point rest onto the mount.



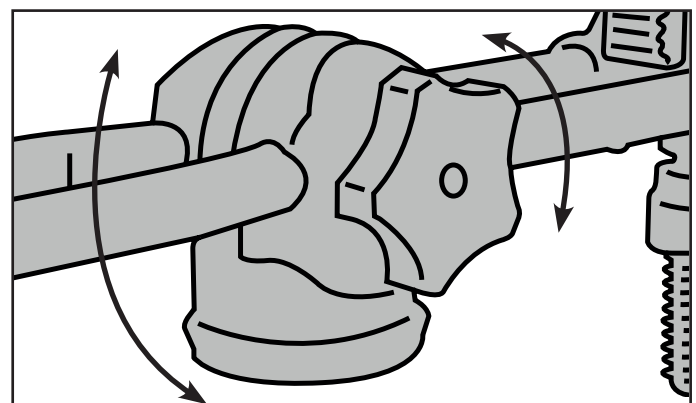
The green clips enable the V rests to be folded down for storage.



The threads on the V rests make them fully height adjustable.



To adjust the distance between the V rests there are clips at the side of the rest which can be unclipped and adjusted.



It is possible to adjust the angle of the 2 point rest to make sure that it is level on any terrain.

Dimensions (closed) Length: 40cm Width: 7cm
Height: 6cm Weight: 450g