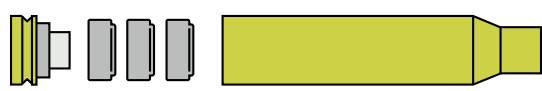
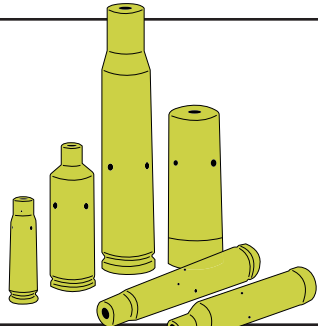
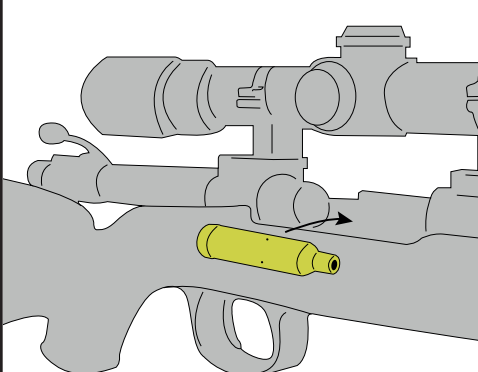
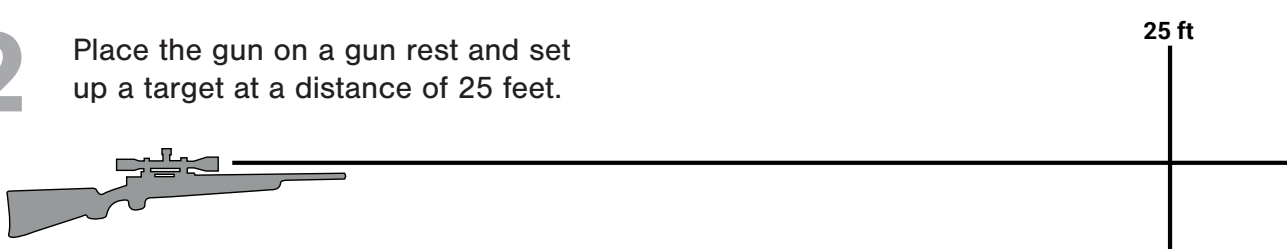


Operational Instructions - Centre Fire

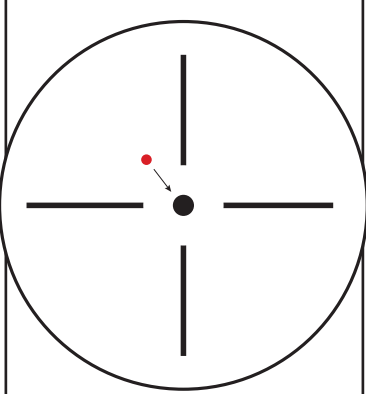


1 Adding the batteries to the sight-rite. Unscrew the bottom of the sight-rite and then insert the 3 batteries into the sight-rite as shown and screw back in the bottom.

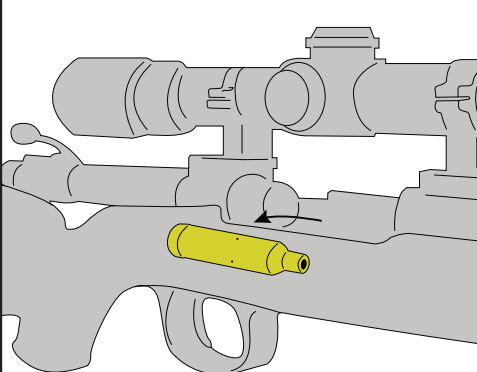
2 Place the gun on a gun rest and set up a target at a distance of 25 feet.



3 Insert the laser into the chamber and slide the bolt forward to hold the laser in place. This will activate the laser.

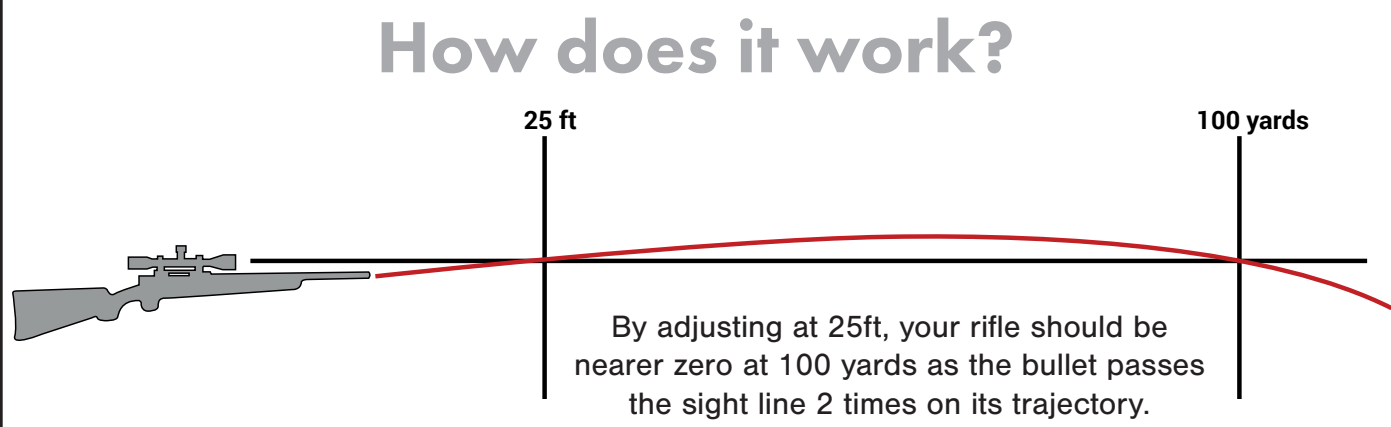


4 Look through the scope at the target. Adjust the scope until the laser is in the middle.



5 When finished, remember to remove the laser from the chamber.

How does it work?



By adjusting at 25ft, your rifle should be nearer zero at 100 yards as the bullet passes the sight line 2 times on its trajectory.